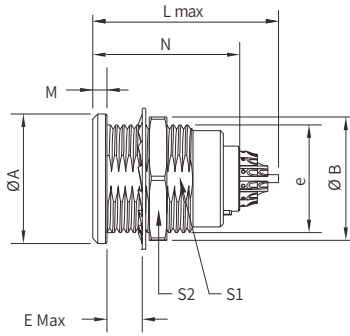


■ FSG Fixed Straight Socket, Key(G)

- Connector series: FSG
  - Contact: Female
  - Key: G(More keys, refer to page 43)
  - Locking type: Self-locking
  - Orientation type: Straight
  - Part No.: FSG.XB.XXX.CLL
  - Mated with: PSG/MSG/PLG/PPG series
- Note: "X" refers to part number definition on page 17



■ General Information



Ambient temperature:	-55°C~+250°C
Mating endurance:	>5000 cycles
Insulator:	PEEK
Connector contacts:	Brass with gold plated
Coupling nut/screw:	Brass with nickel plated

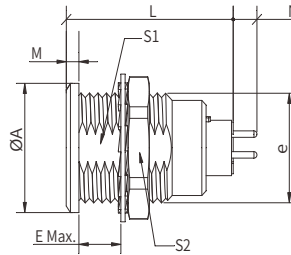
Housing:	Brass with Cr plated
Insulation resistance:	≥ 100MΩ
IP rating:	IP 50
Shielding efficiency:	at 10MHz>75dB / at 1GHz>40dB
Salt spray corrosion test:	>144h

Size	Dimensions(mm)								
	A	B	e	E	L	M	N Max	S1	S2
00	8	10.2	M7*0.5	6.0	15.5	1.0	13.7	6.3	9
0B	10	12.4	M9*0.6	7.0	20.7	1.2	19.1	8.2	11
1B	14	15.8	M12*1.0	7.5	23.0	1.5	21.1	10.5	14
2B	18	19.2	M15*1.0	8.5	26.7	1.8	24.6	13.5	17
3B	22	25.0	M18*1.0	11.5	30.7	2.0	28.1	16.5	22
4B	28	30.0	M25*1.0	14.0	34.5	2.5	29.5	23.5	30

Panel Cut-out page 164; The dimension " N " depends on the number of contacts, detail information see page 169

■ FSG Fixed Straight Socket, Key(G), Contact for Printed Circuit

- Connector series: FSG
  - Contact: Female
  - Key: G(More keys, refer to page 43)
  - Locking type: Self-locking
  - Orientation type: Straight
  - Part No.: FSG.XB.XXX.CLN
  - Mated with: PSG/PAG/PCG/PBG/MSG/PLG/PPG
- Note: "X" refers to part number definition on page 17



■ General Information



Ambient temperature:	-55°C~+250°C
Endurance:	>5000 cycles
Insulator:	PEEK
Connector contacts:	Brass with gold plated
Coupling nut/screw:	Brass with nickel plated

Housing:	Brass with Cr plated
Insulation resistance:	≥100MΩ
IP rating:	IP 50
Shielding efficiency:	at 10MHz>75dB/at 1GHz>40dB
Salt spray corrosion test:	>144h

Size	Dimensions(mm)						
	A	e	E	L Max	M	S1	S2
00	8.0	M7*0.5	6.0	13.7	1.0	6.3	9.0
0B	10.0	M9*0.6	7.0	19.1	1.2	8.2	11.0
1B	14.0	M12*1.0	7.5	21.1	1.5	10.5	14.0
2B	18.0	M15*1.0	8.5	24.6	1.8	13.5	17.0
3B	22.0	M18*1.0	11.5	28.1	2.0	16.5	22.0

Panel cut-out (page 164); PCB drilling pattern (page 169/170); 00 Series UL certification is ongoing